

HEAVY-DUTY WHEEL ALIGNMENT

920

**geoliner**<sup>®</sup>  
WHEEL ALIGNMENT SYSTEMS

**HOFMANN**<sup>®</sup> 

*THE GEOLINER® 920 HEAVY-DUTY WHEEL ALIGNER.  
FAST, ACCURATE AND COMPREHENSIVE.*

---

SIMPLE AND COMPLETE

---

3 AXLE VEHICLE .....	4 MIN
4 AXLE VEHICLE .....	5 MIN
TRUCK & TRAILER .....	9 MIN



# MAXIMIZE ECONOMY WITH MINIMAL EFFORT USING COMPREHENSIVE REPAIR TOOLS.

With the Hofmann® geoliner® 920, checking wheel alignment on heavy-duty vehicles is faster and easier than ever before. Support for a wide range of vehicles, the *geoliner 920* wheel alignment system can perform alignments on everything from medium duty trucks to mobile cranes.

Get large wheel alignment jobs done faster with the intuitive features and technologies of the *geoliner 920*:

- In under four minutes, a single operator can measure a vehicle. Cut that time in half by simultaneously measuring the left and right side of the vehicle with a second operator.
- Increase your revenue or support fleet maintenance with fast drive-thru alignment checks.
- The area used to perform wheel alignments remains fully available for other tasks when there is no alignment in process

Performing wheel alignments on heavy-duty vehicles has never been so easy:

- Mount the targets to the floor or the wall for a faster, easier set up time. The only devices left to be mounted on the vehicle are the wheel clamps and the corresponding measuring heads.
- Light-weight, all aluminum wheel clamps are easily mounted to a wide range of wheels, supporting inside and outside clamping.
- Easy repair with real-time adjustments and user-friendly interface.

## THE 920 CAN MEASURE ALL TYPES OF VEHICLES

- ✓ **Medium & Heavy-Duty Trucks**
- ✓ **Busses**
- ✓ **Articulated busses**
- ✓ **Trailers**
- ✓ **Semi-trailers**
- ✓ **Transporter vehicles**
- ✓ **Complete carriages (truck + semi-trailer)**



MEASURING OF ARTICULATED BUS



MEASURING OF SMALLER TRANSPORTER VEHICLE



WIDE RANGE OF VEHICLES SUPPORTED



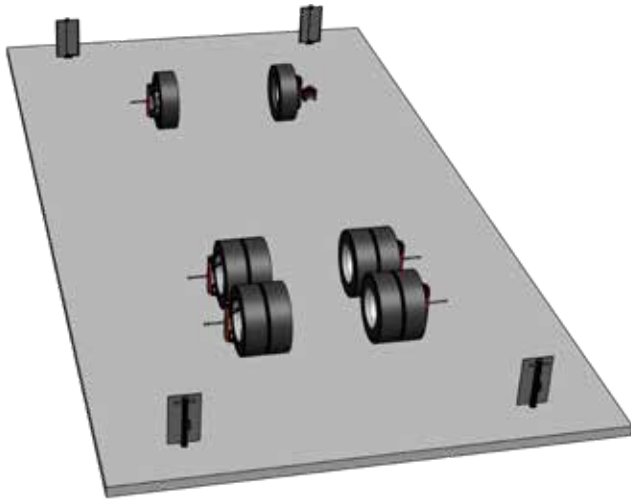
FRONT AND REAR TARGETS



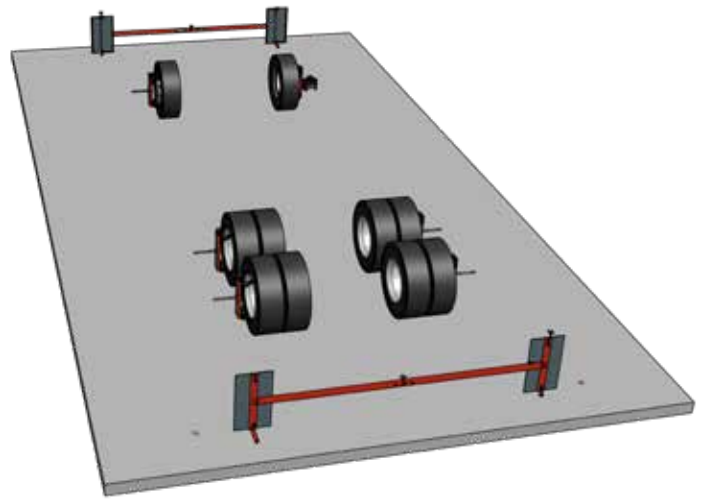
WHEEL ALIGNMENT MEASURING HEAD



# FLOOR MOUNTED OR MOBILE TARGET SCALES – YOU DECIDE!



EEWA820A



EEWA820B

## FOR SHOPS WITH HIGH-VOLUME

Clean configuration with removable floor mounted targets for fast setup, tear down, and drive-thru capability.

## FOR SHOPS WITH LOW-VOLUME, MULTI-BAY OR MOBILE OPERATIONS

Mobile target scales can be moved to different locations and avoid drilling holes for permanent mount. Setup is fast and easy thanks to software guidance.

Target scales can be mounted on a dedicated floor area with a surface up to 866' in length, and about 157' in width. In both alternatives the target scales can be removed so that the workshop floor can be used for other purposes.



### TECHNICAL SPECIFICATIONS

Wheel size	16" - 24" (406 - 607 mm)
Number of axles supported	10 (3 with included equipment)
Shipping weight	730 lbs
Power requirements	120-240V 1Ph 50/60Hz 15A

For more information about the geoliner® 920 Heavy-duty Wheel Aligner, call 800.251.400 (US) or 501.505.2662 (Canada) [www.hofmann-equipment.com](http://www.hofmann-equipment.com)

Hofmann is committed to product innovation and improvement. Therefore, specifications listed in this sell sheet piece may change without notice. ©2018 Snap-on Incorporated. All rights reserved. Hofmann is a trademark, registered in the United States and other countries, of Snap-on Incorporated. All other marks are marks of their respective holders. 04/18 SSWA18007

