

7100
7200





Smart Sonar™

Smart Sonar™

Automatic rim width acquisition via Smart Sonar™ (geodyna® 7200s only) together with rim diameter and offset measurement via 2D-SAPE make this balancer the ideal solution for high-volume workshops.

Short balancing cycle

Extremely short balancing cycle (start/stop) of 4.5 sec.

Touch panel

Easy to operate with a comfortable touch panel.



Gauge arm

SILVER user interface

This graphical user interface allows fast and intuitive selection of the balancing modes.

Gauge arm

Semi-automatic data entry and positioning of adhesive weights.

VPM

Measurement technique for uncompromised accuracy.

easyALU™

Semi-automatic selection of balancing modes (Alu or steel rim).



Touch panel



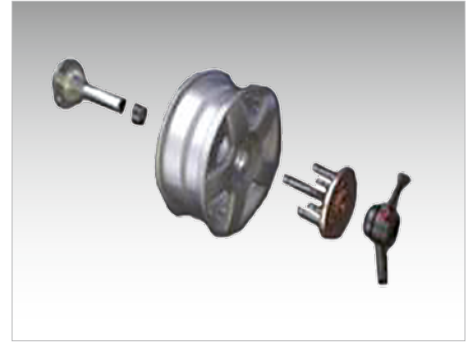


Features of the geodyna® 7100

- Intuitive LED display
 - Semi-automatic input of rim diameter and offset with gauge arm
 - Manual input of rim width
 - Imbalance optimisation program
 - Imbalance minimisation program
 - Constant rotational speed
 - QuickBAL™ for reduced cycle time
 - Split weight mode
 - The pedal-operated mechanical lock firmly holds the wheel in every position
- geodyna® 7100n:** without wheel guard
geodyna® 7100m: with motorcycle wheel adaptor instead of quick nut – for balancing of motorcycle wheels

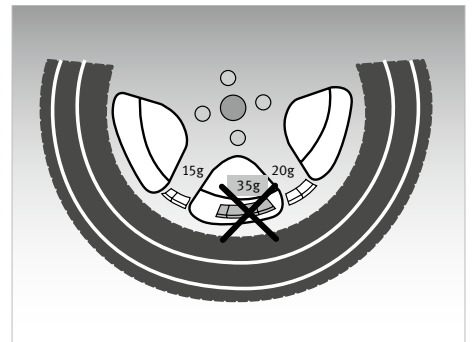
Features of the geodyna® 7200

- 19" TFT monitor with intuitive SILVER user interface
 - Semi-automatic input of rim diameter and offset with gauge arm
 - Manual input of rim width
 - Imbalance optimisation program
 - Imbalance minimisation program
 - Constant rotational speed
 - easyALU™ for semi-automatic selection of balancing modes
 - QuickBAL™ for reduced cycle time
 - Split weight mode
 - The pedal-operated mechanical lock firmly holds the wheel in every position
- geodyna® 7200s:** with Smart Sonar™ for automatic and non-contact detection of rim width



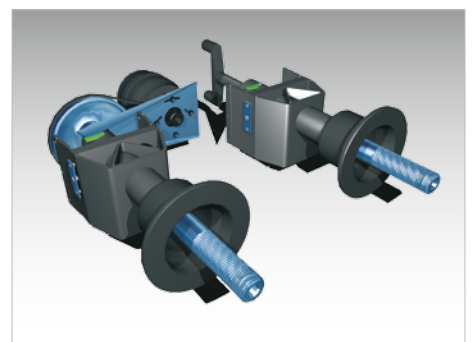
Oversize shaft

The shaft of 225 mm allows the use of stud-hole flanges and other accessories for almost every type of rim.



Split weight mode

Hides adhesive weights behind two adjacent spokes so they cannot be seen from the outside.



7100
7200



geodyna®

WHEEL BALANCERS

TECHNICAL DATA		GEODYNA® 7100 / 7100N / 7100M	GEODYNA® 7200 / 7200S
Vehicles supported		Passenger car / Light truck / SUV / Off-road / Motorcycles (needs adaptors)	Passenger car / Light truck / SUV / Off-road / Motorcycles (needs adaptors)
Measuring speed	rpm	< 100	< 200
Balancing accuracy	g	1	1
Angular resolution	°	0.7	0.7
Start/Stop time (wheel 195/65R15)	s	6	4.5
Semi-automatic data entry (SAPE)			
Rim diameter	inch	8 – 25	8 – 25
Rim width	inch	–	– / 3 – 15
Manual data entry			
Rim diameter	inch	8 – 32	8 – 32
Offset	inch	1 – 20	1 – 20
Rim width	inch	1 – 20	1 – 20
Maximum wheel dimensions			
Max. wheel diameter	mm	960 / 960 / –	1050
Wheel width	mm	76 – 508	76 – 508
Max. wheel weight	kg	70	70
Diameter of shaft	mm	40	40
Length of shaft	mm	225	225
Wheel lift max. load	kg	70	70
Power supply		230V1ph 50/60Hz	230V1ph 50/60Hz
Dimensions L x W x H (Wheel guard open)	mm	1100 x 1005 x 1711 / 690 x 450 x 977 / 1100 x 1005 x 1711	1012 x 781 x 1834
Net weight	kg	70 / 60 / 70	82

FEATURES	GEODYNA® 7100 / 7100N / 7100M	GEODYNA® 7200 / 7200S
Vibratory system technology	VPM with integrated flange	VPM with integrated flange
Wheel clamping	Quick nut	Quick nut
Wheel guard	• / – / •	•
Cycle start	Automatic (wheel guard) / Start key / Automatic (wheel guard)	Automatic (wheel guard) / Start key / Automatic (wheel guard)
Wheel braking after measurement	Automatic with current injection	Automatic with current injection
Wheel lift type	Optional BW 2010	Optional BW 2010
Balancing program selection	Manual	Semi-automatic – easyALU™
Smart Sonar™		– / •
Split weight	•	•
Minimisation	•	•
Optimisation	•	•
Main shaft lock	Mechanical	Mechanical
Self-calibration	•	•

EMEA-JA
Snap-on Equipment s.r.l. - Via Prov. Carpi, 33 - 42015 Correggio (RE)
Phone: +39 0522 733-411 - Fax: +39 0522 733-479 - www.hofmann-europe.com

France
Snap-on Equipment France - ZA du Vert Galant - 15, rue de la Guivernone BP 97175
Saint-Ouen-l'Aumône - 95056 Cergy-Pontoise CEDEX
Phone: +33 134 48 58-78 - Fax: +33 134 48 58-70 - www.hofmann-france.fr

Germany
Snap-on Equipment GmbH - Konrad-Zuse-Straße 1 - 84579 Unterneukirchen
Phone: +49 8634 622-0 - Fax: +49 8634 5501 - www.hofmann-deutschland.com

Italy
Snap-on Equipment s.r.l. - Via Prov. Carpi, 33 - 42015 Correggio (RE)
Phone: +39 0522 733-411 - Fax: +39 0522 733-410 - www.hofmann-italia.com

United Kingdom
Snap-on Equipment Ltd. - Unit 17 Denney Road, King's Lynn - Norfolk PE30 4HG
Phone: +44 118 929-6811 - Fax: +44 118 966-4369 - www.snapon-equipment.co.uk

Part of the machines is illustrated with optional extras which are available at extra cost. Technical and visual modifications reserved.

Cod.: 9702 764 - 11/2016



HOFMANN