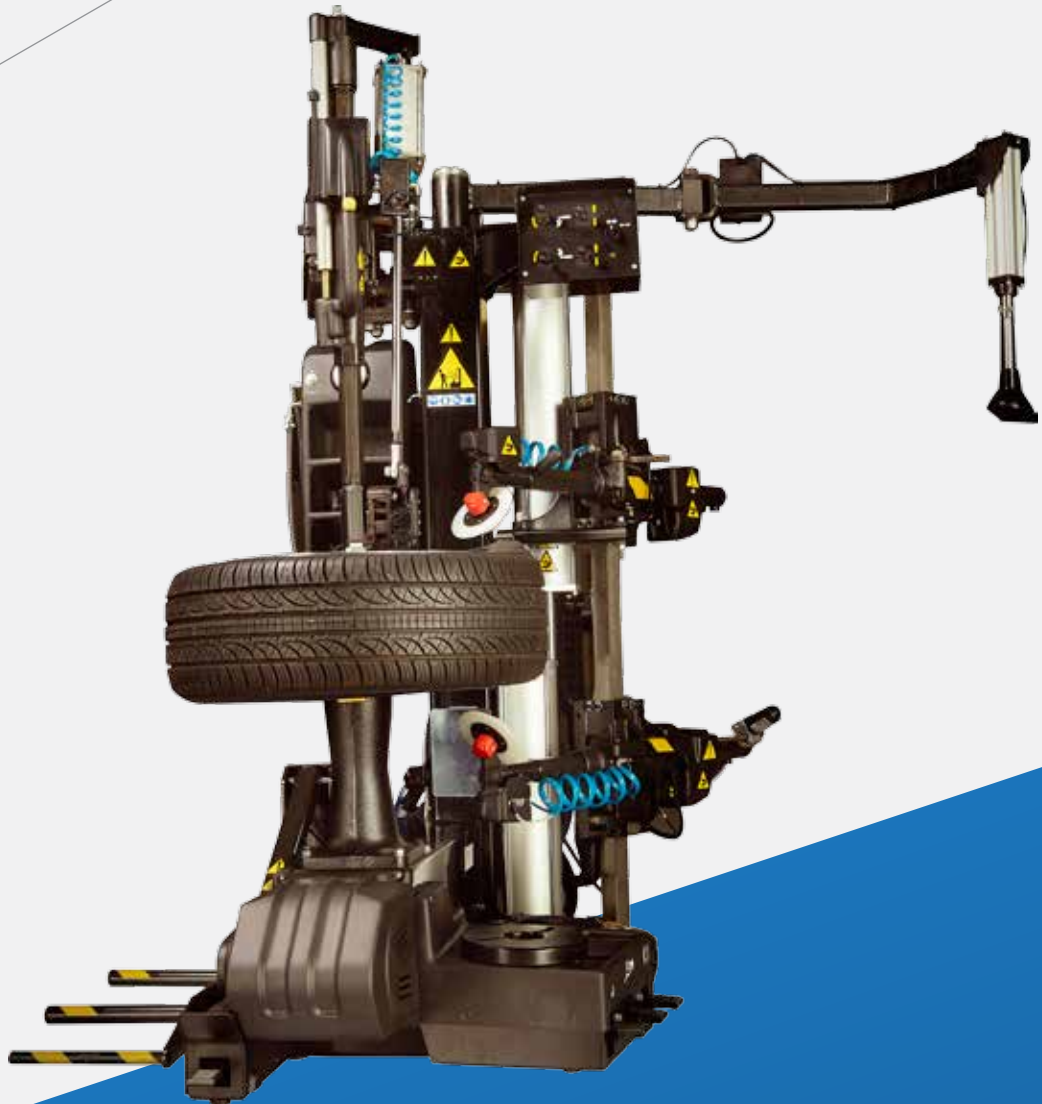


PREMIUM TIRE CHANGERS

# MONTY™ 8600





## MONTY 8600 LEVERLESS TIRE CHANGER

Leverless demounting and powered wheel lift reduces technician fatigue and opportunity for injury. Dual disc bead breakers are servo positioned and electronically synchronized so the technician can efficiently maintain a safe and ergonomic body position.

### WHEEL LIFT

- Reduces fatigue and the chance for injury presented by handling heavy tires and rims

### WHEEL CENTER PILOT HOLE CLAMPING

- Center piloting eliminates rim edge damage and provides positive center hole clamping using a cone and quick nut

### LASER POSITIONED TOOLING

- Precise rim edge positioning prevents damage to the wheel or tire due to misaligned tool

### ERGONOMIC DUAL BEAD BREAKERS

- Easily positioned upper bead breaker and servo driven lower bead breaker. Lower bead breaker is automatically positioned via the upper bead breaker position

### LEVERLESS DEMOUNT HEAD

- Integrated demounting finger gently pulls the bead over the rim edge, reducing the possibility of tire or wheel damage

### BEAD ASSIST

- Follows the rotation to position the bead in the wheel's drop center on difficult, stiff side wall, tires

### INTEGRATED TIRE INFLATION SYSTEM

- Quick and safe top side bead seating and inflation included

### STORAGE COMPARTMENT

- Easy access for tools and accessories

### QUICK FIT CENTER WHEEL CLAMPING

- Center wheel clamping provides easy and precise wheel mounting while avoiding damage

## TECHNICAL SPECIFICATIONS

Part number	EEWH742AHNA
Wheel diameter	12" - 30" (30.5 - 76cm)
Maximum wheel width	15" (38cm)
Maximum tire diameter	47" (119cm)
Maximum tire weight	154 lbs (70kg)
Mounting speeds	7/14 RPM CW & 7 RPM CCWM
Bead breaker range	28" (71cm)
Bead breaker stroke	11" (28cm)
Bead breaker force	2,585 lbs (1,173kg)
Maximum torque	1,106 ft*lbs
Dimensions (D x W x H)	70" x 89" x 59" (178 x 226 x 150cm)
Noise level	<70dB
Shipping weight	946 lbs (429kg)
Compressed air supply	110 - 140 PSI (7.5 - 9.6 BAR)
Power requirements	200-240V 1Ph 50/60Hz

## STANDARD ACCESSORIES

Quick-clamping nut	Clamping shaft
2.52" cone	3.07" cone
4.72" cone	5.70" cone
Bead clamp	Magic bead pusher
Plastic tire protector	Plastic wheel protectors
Lube brush	Tool for bead extraction
Rim protection disc	

## OPTIONAL ACCESSORIES

Reverse mounted wheel kit	EAA0364G00A
Closed center wheel kit	EAA0350G60A
Light truck wheel kit	EAA0349G06A

For more information regarding the monty™ 8600, call 800.251.4500 (US) or 501.505.2662 (Canada) [www.hofmann-usa.com](http://www.hofmann-usa.com) / [www.hofmann.ca](http://www.hofmann.ca)

Hofmann is committed to product innovation and improvement. Therefore, specifications listed in this sell sheet piece may change without notice. ©2015 Snap-on Incorporated. Hofmann is a trademark, registered in the United States and other countries, of Snap-on Incorporated. All rights reserved. All other marks are marks of their respective holders. 10/15 SS3308B